

## LIGHT WEIGHT STAGE

It's a

# SKY CLIMBER



The SKY CLIMBER " LIGHT WEIGHT STAGE" is designed for use with any Sky Climber powered rigging hoist.

The combination forms a complete modular light weight suspended access system and is a cost effective complement to the range of SKY CLIMBER products.

The suspension, connection and walk-through stirrups are fabricated from steel and paint protected. All other components are aluminium alloy.



### Operate in your work environment

- sandblasting
- commercial restoration
- painting
- masonry
- window cleaning
- general building maintenance
- off shore oil rigs
- cladding
- ship/maintenance
- caulking

When walk-through stirrups are used, an additional module can be added to each end, making a maximum stage length of 16 m and giving better access to corners of buildings, etc. In addition, the walk-through stirrup assembly in conjunction with two balcony sections of 0,75 m can be used to make up a single hoist stage having a nominal length of 1,5 m.

### Light and easy

A 12 m platform can easily be handled and assembled by 2 men. The heaviest component a 3 m floor weights only 22 Kg.

Fast and easy, the components are designed to assemble a 16 m platform in less than 15 minutes. No tools required as all joints are made by means of connection pins and secured with safety pins.

### Economical

The Sky Climber "Light Weight Stage" is providing a very cost effective solution to many access problems.

### Safety

All standard configurations are CE (EN1808) approved, meeting and or exceeding world wide safety regulations.



### Modular

Using 1, 2 and 3 m modules, the "Light Weight Stage" can be assembled to achieve a maximum length of 12 m between suspension centres.

Walk-through stirrups can be used with this system as an alternative to the standard suspension stirrups.

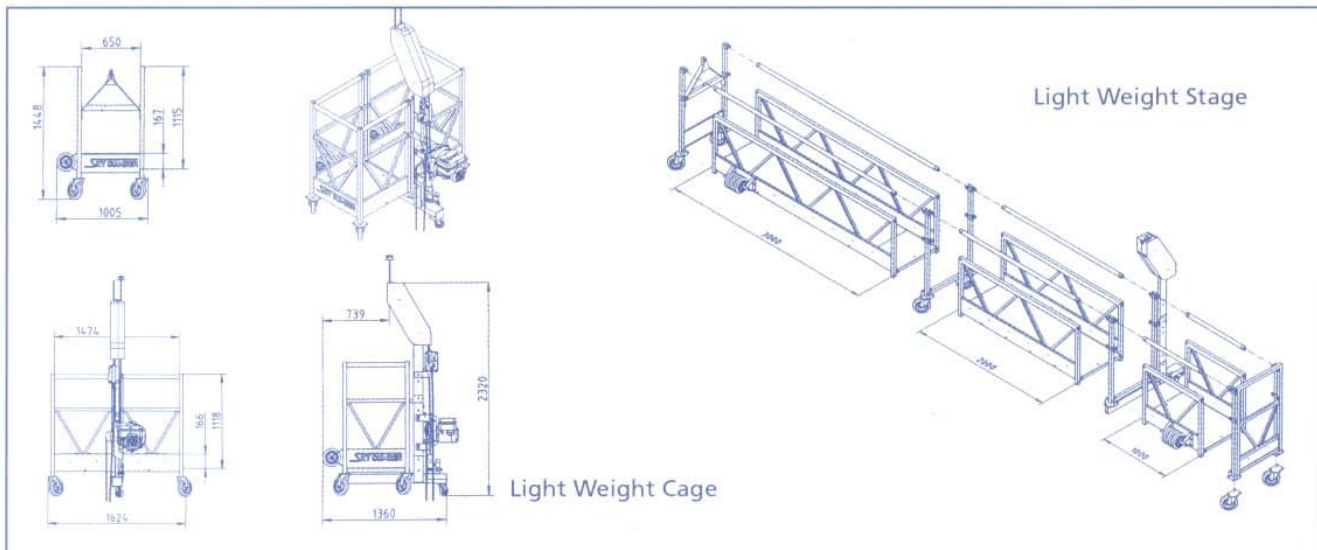
### Interchangeability

Any type of Sky Climber rigging hoist with standard safety equipment such as Sky Lock etc. will fit any suspension stirrup.

**Count on Sky Climber ...** backed by over 40 years industry experience, known for many innovative, industry first achievements, leading a safe, fast and strong way into the future.



# TECHNICAL SPECIFICATIONS



CONFIGURATIONS	Unit Kg	2 m	3 m	4 m	5 m	6 m	7 m	8 m	9 m	10 m	11 m	12 m	14m	16m
End Connection Stirrup w/ pins	18	2	2	2	2	2	2	2	2	2	2	2		
Walk Through Stirrup	65												2	2
Connection Pin	0,1	incl.	incl.	incl.	incl.	incl.	incl.	incl.	incl.	incl.	incl.	incl.	incl.	incl.
1 meter Side Frame	8												4	
1 m Floor Element	8												2	
1 m Hand Rail	1,3												4	
2 m Side Frame	14	2		4	2		4	2		4	2			4
2 m Floor Element	16	1		2	1		2	1		2	1			2
2 m Hand Rail	2,6	2		4	2		4	2		4	2			4
3 m Side Frame	20		2		2	4	2	4	6	4	6	8	8	8
3 m Floor Element	24		1		1	2	1	2	3	2	3	4	4	4
3 m Hand Rail	3,9		2		2	4	2	4	6	4	6	8	8	8
Set of Two Castor Wheels	7,5	2	2	2	2	2	2	2	2	3	3	3	3	3
Wall Roller Assembly	6,5	2	2	2	2	2	2	2	2	2	2	2	2	2
Floor Connection Bar	1,1	2	2	4	4	4	6	6	6	8	8	8	10	12
Connection Stirrup w/ pins	12			1	1	1	2	2	2	3	3	3	7	7
End Guard Rail	7												2	2

15, 30 and 45 degrees section as well as 0,75 m balconies and other section lengths available upon request.

SWL EN1808	↑ = 80 kg	The first two persons are calculated at 80kg/each + 40 kg/ each for tools. Additional persons 80 kg/each.													
Compact	↑↑ + kg	200	380	346	174	126	86	*	*	*	*	*	*	*	*
CX 500	↑↑ + kg	200	380	534	510	330	238	199	171	132	113	96	*	*	
Alpha 500	↑↑ + kg	200	380	492	468	272	200	166	141	105	87	*	*	*	
Alpha 800	↑↑ + kg	200	380	560	740	920	920	920	920	630	548	475	274	203	

SWL Uniform distribution	↑ = 80 kg	All figures are indicative and subject to local safety approval.													
Compact	↑↑ + kg	200	380	346	322	299	259	236	212	166	142	119	*	*	
CX 500	↑↑ + kg	200	380	534	510	487	447	424	400	354	330	307	103	49	
Alpha 500	↑↑ + kg	200	380	492	468	445	405	382	358	312	288	265	61	7	
Alpha 800	↑↑ + kg	200	380	560	740	920	920	920	920	780	590	475	475	475	

\* Safe Working Load upon request.

**Call Sky Climber First**  
**+ 32 (0) 3 887 81 20**  
 or your nearest  
**Sky Climber distributor**

Your local representative :

## SKY CLIMBER FIRST

**SAFETY • SERVICE • SOLUTIONS**